

# STA-RITE® CJ Series

Self-priming shallow well jet pumps, stainless steel body



CJ models provide excellent performance with good pressure for wells to 25' deep. Self-priming after the priming chamber has been filled with water.

## APPLICATIONS

Water systems and sprinkling... for homes, farms and cottages.

## SPECIFICATIONS

**Maximum Liquid Temperature Limits:** 122°F (50°C)

**Max. Inlet Pressure:** 50 PSI

**Average Priming Time at 20 Feet:**

CJ90E = 5.3 min.

CJ90F = 4.2 min.

**Body:** 304 Stainless steel

**Jet Assembly, Diffuser, Impeller:** Noryl®

**Shaft:** One-piece threaded, 416 grade stainless steel

**Base:** Polypropylene

## FEATURES

**Corrosion Free:** Stainless steel pump body provides maximum resistance to corrosion.

**Built-in Jet:** High-strength thermoplastic components are corrosion resistant.

**Mechanical Shaft Seal:** Highly polished carbon-ceramic and stainless steel construction.

**Motor Windings:** Superior insulation materials protect against excessive moisture and contaminants... assure prolonged motor life.

**Balanced Rotor:** Diecast under high pressures for uniform performance and greater efficiency, dynamically balanced.

**Heavy-Duty Ball Bearings:** Shielded, permanently lubricated bearings, extensively tested to ensure extended life and smooth, quiet operation.

**Pump and Motor Shaft:** Stainless steel for maximum corrosion resistance; one-piece threaded shaft for positive impeller drive and alignment.

**Dustproof Cover:** All electrical components are protected from dirt, dust and insects by a dustproof canopy; ventilating air cannot contaminate vital switching components.

**Pressure Switch:** Quality, fixed differential (20 PSI).

## ORDERING INFORMATION

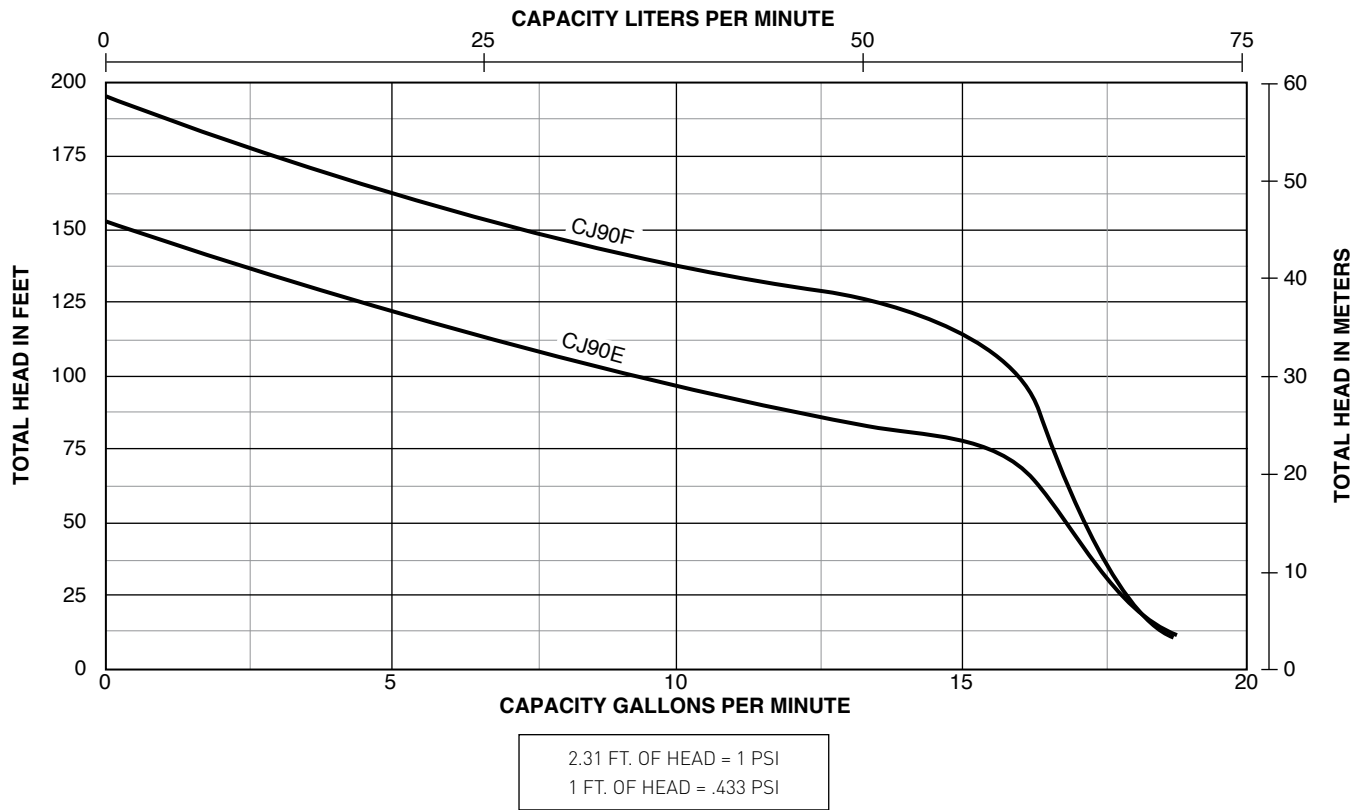
| CATALOG NUMBER | HP    | SWITCH SETTING | DESCRIPTION      | PIPE TAPPING SIZES |           | MOTOR VOLTAGE | APPROX. WT. LBS. |
|----------------|-------|----------------|------------------|--------------------|-----------|---------------|------------------|
|                |       |                |                  | SUCTION            | DISCHARGE |               |                  |
| CJ90E          | 1     | 30-50          | Shallow Well Jet | 1-1/4"             | 1"        | 115/230       | 26               |
| CJ90F          | 1-1/2 | 40-60          | Shallow Well Jet | 1-1/4"             | 1"        | 115/230       | 29               |

Pentair trademarks and logos are owned by Pentair plc or its affiliates. All other third party registered and unregistered trademarks and logos are the property of their respective owners.

# STA-RITE® CJ Series

Self-priming shallow well jet pumps, stainless steel body

## PUMP PERFORMANCE



## PUMP PERFORMANCE (Capacity in gallons per minute)

| CATALOG NUMBER | HP    | DISCH. PRESSURE PSI | DEPTH TO WATER |      |      |      |     | SHUT-OFF PRESSURE PSI |
|----------------|-------|---------------------|----------------|------|------|------|-----|-----------------------|
|                |       |                     | 5'             | 10'  | 15'  | 20'  | 25' |                       |
| CJ90E          | 1     | 30                  | 16.1           | 14.4 | 12.6 | 10.1 | 7.5 | 64                    |
|                |       | 40                  | 11             | 11   | 11   | 9.0  | 7.2 |                       |
|                |       | 50                  | 5.8            | 5.8  | 5.8  | 5.8  | 5.8 |                       |
| CJ90F          | 1-1/2 | 40                  | 16.2           | 14.6 | 12.6 | 10.6 | 7.5 | 80                    |
|                |       | 50                  | 15.4           | 14.3 | 12.3 | 10.3 | 7.3 |                       |
|                |       | 60                  | 9.5            | 9.5  | 9.5  | 9.5  | 7.1 |                       |

Tested and rated in accordance with Water Systems Council Standards.

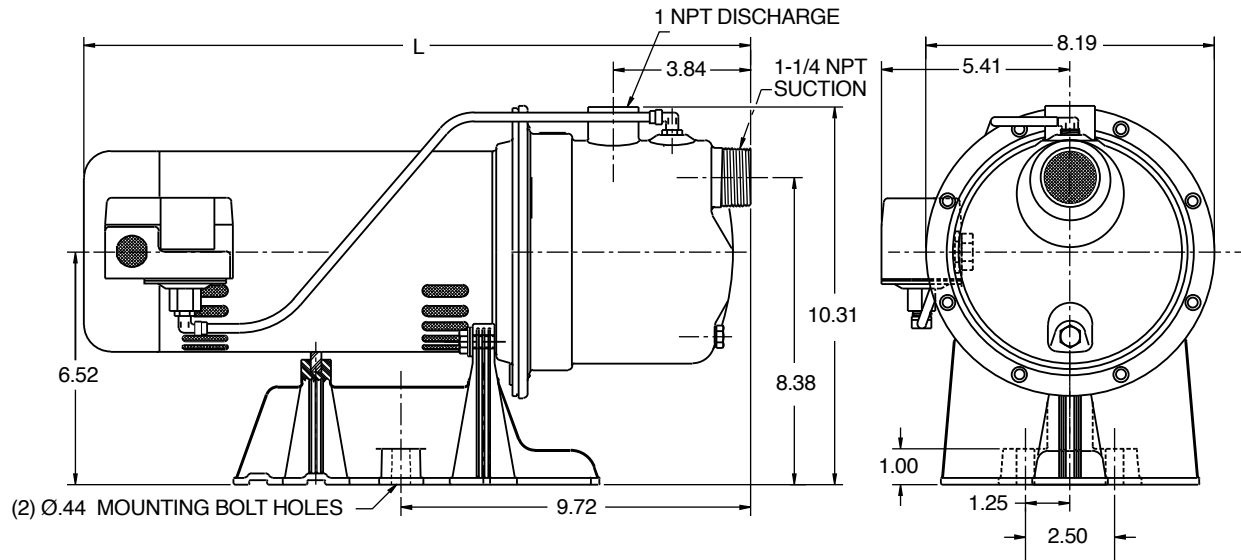
NOTE: CJ90E uses 30-50 PSI pressure switch; CJ90F uses 40-60 PSI pressure switch.

Pumps installed with a Pro-Source® tank require a 100 PSI relief valve. Pumps installed with a conventional tank require a 75 PSI relief valve. Relief valve must be capable of relieving entire flow of pump at relief pressure.

# STA-RITE® CJ Series

Self-priming shallow well jet pumps, stainless steel body

## OUTLINE DIMENSIONS



| CATALOG NUMBER | L     |
|----------------|-------|
| CJ9E           | 18.19 |
| CJ90F          | 19.25 |

Dimensions (in inches) are for estimating purposes only.



US: 293 WRIGHT STREET, DELAVAN, WI 53115 WWW.STA-RITE.COM PH: 888-782-7483 ORDERS FAX: 800-426-9446  
CANADA: 490 PINEBUSH ROAD, UNIT 4, CAMBRIDGE, ONTARIO N1T 0A5 PH: 800-363-7867 ORDERS FAX: 888-606-5484  
Because we are continuously improving our products and services, Pentair reserves the right to change specifications without prior notice.